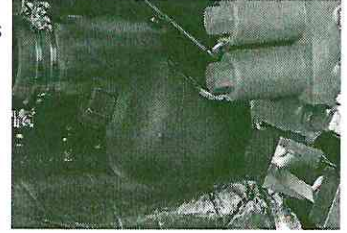


Safety

Safety is designed into every detail of the KX71-3S. An Engine Start Lockout System prevents the engine from starting when the safety levers are lowered. A Safety Lever Lockout System helps prevent unexpected excavator and attachment movement when entering or exiting the machine. An Auto House Parking Brake automatically locks the house in the position it was in when the engine was shut off, eliminating the need for a swing lock pin. It also makes the excavator more compact during transport and more secure when parked on an incline.

Accumulator

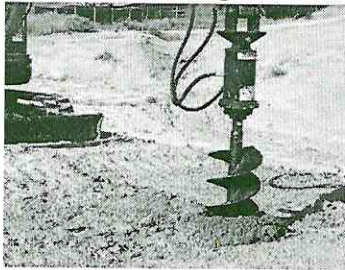
The accumulator makes replacing attachments safer and more efficient. Turning the key to the "on" position clears residual pressure in the auxiliary hydraulic hose. If the engine is accidentally shut off while the front attachment is raised, turning the key to the "on" position allows you to safely lower it.



KX71-3S OPTIONS

- Buckets
- Spark arrest muffler
- Travel alarm

● Hydraulic auger



● Canopy lights



● Quick coupler

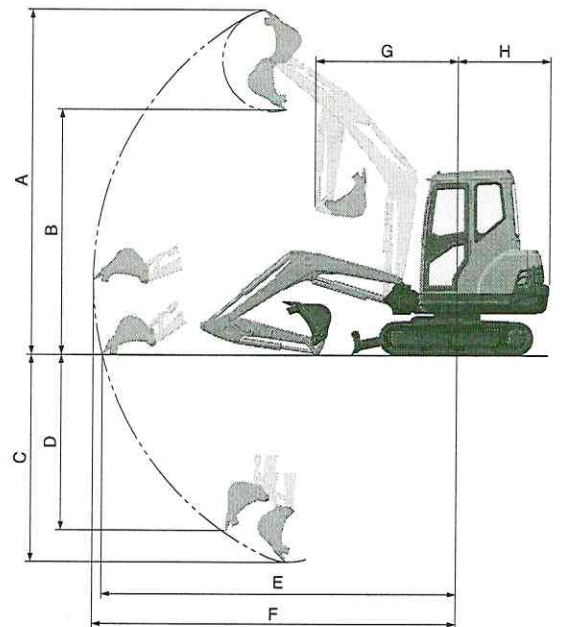


● Hydraulic hammer



WORKING RANGE

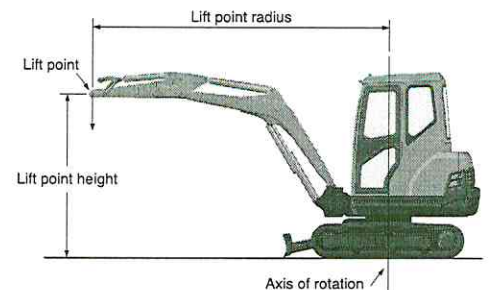
Model		KX71-3S
A	Max. digging height	ft. in. (mm) 15'5" (4700)
B	Max. dumping height	ft. in. (mm) 10'5" (3180)
C	Max. digging depth	ft. in. (mm) 9'9" (2970)
D	Max. vertical digging depth	ft. in. (mm) 6'5" (1950)
E	Max. digging radius at ground	ft. in. (mm) 16' (4880)
F	Max. digging radius	ft. in. (mm) 16'4" (4990)
G	Min. turning radius	W/o swing ft. in. (mm) 6'4" (1940)
		With swing ft. in. (mm) 5'2" (1580)
H	Min. tail turning radius	ft. in. (mm) 3'11.6" (1210)



LIFTING CAPACITY

Cab (with Rubber crawler) / Canopy (with Rubber crawler)

LIFT POINT HEIGHT (ft)	LIFTING CAPACITY OVER-FRONT BLADE DOWN unit=1000lbs			LIFTING CAPACITY OVER-FRONT BLADE UP unit=1000lbs			LIFTING CAPACITY OVER-SIDE unit=1000lbs		
	LIFT POINT RADIUS (ft)			LIFT POINT RADIUS (ft)			LIFT POINT RADIUS (ft)		
	8	10	MAX	8	10	MAX	8	10	MAX
6	1.07/1.10	0.91/0.93	0.83/0.85	1.07/1.10	0.91/0.93	0.83/0.85	1.07/1.10	0.91/0.93	0.80/0.78
4	1.43/1.47	1.07/1.10	0.90/0.93	1.43/1.47	1.07/1.10	0.90/0.87	1.41/1.38	1.02/1.00	0.78/0.76
2	1.71/1.76	1.22/1.26	0.98/1.00	1.58/1.54	1.14/1.11	0.88/0.85	1.35/1.31	0.99/0.96	0.76/0.74
GL	1.83/1.87	1.30/1.34	1.02/1.04	1.55/1.51	1.12/1.09	0.86/0.84	1.32/1.28	0.96/0.94	0.75/0.73

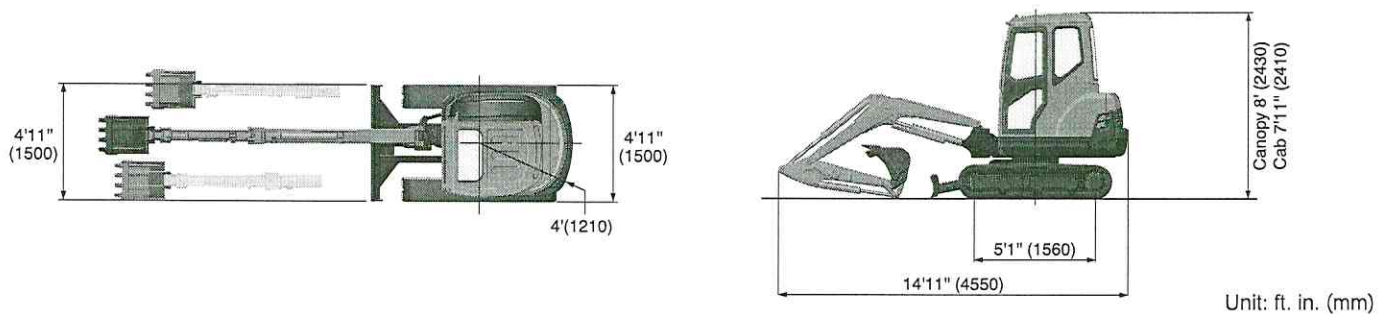


SPECIFICATIONS

Model		KX71-3S	
Type of ROPS / OPG (TOP Guard, Level I)		Canopy / Cab	
Type of tracks		Rubber	
Engine	Model	V1505-BH	
	Output (SAE J1995 gross)	HP (kW)/rpm	24.4 (18.2) / 2250
	Output (SAE J1349 net)	HP (kW)/rpm	23.1 (17.2) / 2250
	Displacement	cu. in. (cc)	91.4 (1498)
Dimensions	Overall length	ft. in. (mm)	14'11" (4550)
	Overall height	Canopy / Cab ft. in. (mm)	8' (2430) / 7'11" (2410)
	Overall width	ft. in. (mm)	4'11" (1500)
	Min. ground clearance	ft. in. (mm)	11" (285)
Hydraulic system	Pump capacity	GPM (ℓ/min)	8.32 (31.5) Piston x 2 / 4.76 (18.0) Gear x 1
	Auxiliary hydraulic flow	GPM (ℓ/min)	13.1 (49.5)
	Max. breakout force	Bucket / Arm lbs. (kgf)	6350 (2880) / 3285 (1490)
Drive system	Travel speed	Low / High mph (km/h)	1.8 (2.8) / 2.9 (4.6)
	Max. traction force	Low speed lbs. (kgf)	7081 (3212)
	Tumbler distance	ft. in. (mm)	5'1" (1560)
	Crawler length	ft. in. (mm)	6'6" (1990)
	Shoe width	ft. in. (mm)	12" (300)
	Ground contact pressure	psi (kgf/cm ²)	3.9 (0.28) / 4.1 (0.29)
Swing system	Unit swing speed	rpm	9.4
	Boom swing angle	Left / Right deg.	80 / 60
Blade	Dimensions	Width / Height ft. in. (mm)	4'11" (1500) / 12" (300)
	Max. lift above ground	ft. in. (mm)	1'1" (340)
	Max. drop below ground	ft. in. (mm)	12" (310)
Hydraulic oil (reservoir/system)		gal (ℓ)	9.0 (34) / 13.2 (50)
Fuel reservoir		gal (ℓ)	11.9 (45)
Operating weight Including operator's weight 175 lbs.		Canopy / Cab lbs. (kgf)	6305 / 6550 (2860 / 2970)

The company reserves the right to change the above specifications without notice. This brochure is for descriptive purpose only. Please contact your local Kubota dealer for warranty information. For your safety, Kubota strongly recommends the use of a Rollover Protective structure (ROPS) and seat belt for almost all applications.

DIMENSIONS



©2013 Kubota Corporation



KUBOTA TRACTOR CORPORATION

Kubota Tractor Corporation, 3401 Del Amo Boulevard, Torrance CA 90503
 Western Division: 1175 S. Guild Ave., Lodi, CA 95240 Tel (209) 334-9910
 Central Division: 14855 FAA Boulevard, Fort Worth, TX 76155 Tel (817) 571-0900
 Northern Division: 6300 at One Kubota Way, Groveport, OH 43125 Tel (614) 835-1100
 Southeast Division: 1025 Northbrook Parkway, Suwanee, GA 30024 Tel (770) 995-8855

Visit our web site at: www.kubota.com

