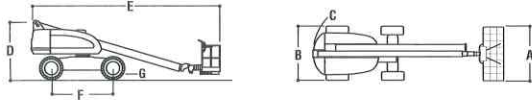
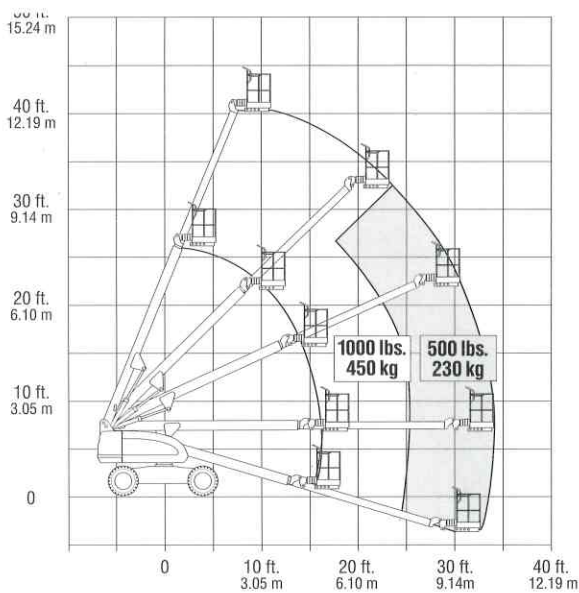


JLG MODEL 400S



REACH SPECIFICATIONS

Platform Height	40 ft. (12.19 m)
Horizontal Outreach	34 ft. (10.36 m)
Swing	360 Degrees Continuous
Platform Capacity-Restricted	1,000 lbs. (450 kg)
Platform Capacity-Unrestricted	500 lbs. (230 kg)
Optional	750 lbs. (340 kg)
Platform Rotator	180 Degrees Hydraulic
Lift/Lower Speed	32/23 seconds

DIMENSIONAL DATA

A. Platform Size	30 x 72 in. (0.76 x 1.83 m)
B. Overall Width	7 ft. 6.5 in. (2.30 m)
C. Tailswing	2 ft. 10 in. (86 cm)
D. Stowed Height	7 ft. 10 in. (2.39 m)
E. Stowed Length	24 ft. 9 in. (7.54 m)
F. Wheelbase	7 ft. 8 in. (2.34 m)
G. Ground Clearance (Standard Tires)	12.5 in. (32 cm)
(14 x 17.5 Tires)	13.5 in. (34 cm)
Gross Vehicle Weight*	12,525 lbs. (5,681 kg)

CHASSIS

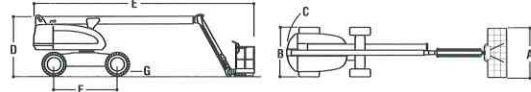
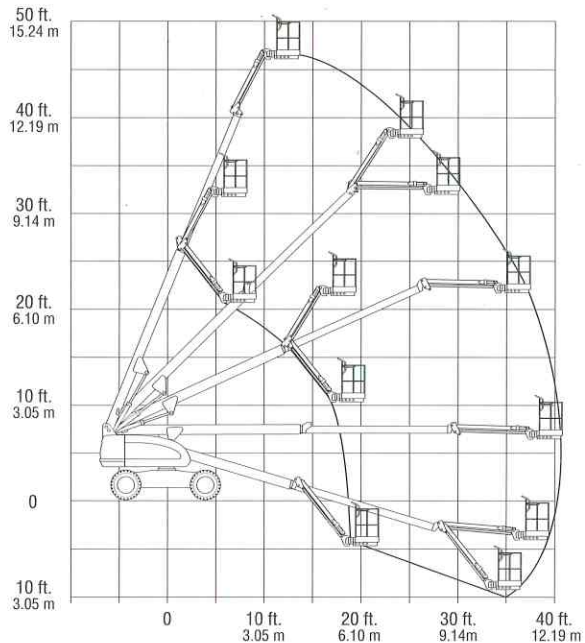
Drive Speed 2WD/4WD	4.5 mph (7.2 kph)
Gradeability 2WD	30%
Gradeability 4WD	45%
Turning Radius (Outside)	16 ft. (4.88 m)
Turning Radius (Inside)	6 ft. 8 in. (2.03 m)
Tire Size/Type (Standard)	12 x 16.5 Pneumatic
(Optional)	14 x 17.5 Pneumatic

POWER SOURCE

Dual Fuel Engine	Ford LRG-425 EFI, 82 hp (61.1 kW)
Diesel Engine	Deutz F3M1011, 48 hp (35.8 kW)
Fuel Tank Capacity	26 gal. (98.5 L)
Hydraulic Reservoir	40 gal. (151.6 L)
Auxiliary Power	12V DC
Engine Noise Level (at max. rpm)	70 dBA @ 7 meters

*Certain options or country standards will increase weight.

JLG MODEL 460SJ



REACH SPECIFICATIONS

Platform Height	46 ft. (14.02 m)
Horizontal Outreach	40 ft. 6 in. (12.34 m)
Swing	360 Degrees Continuous
Platform Capacity-Unrestricted	500 lbs. (230 kg)
Platform Rotator	180 Degrees Hydraulic
Jib (Range of Articulation)	6 ft. (1.83 m), 130 Degrees (+70, -60)
Lift/Lower Speed	32/23 seconds

DIMENSIONAL DATA

A. Platform Size	30 x 72 in. (0.76 x 1.83 m)
B. Overall Width	7 ft. 6.5 in. (2.30 m)
C. Tailswing	2 ft. 10 in. (86 cm)
D. Stowed Height	7 ft. 10 in. (2.39 m)
E. Stowed Length	29 ft. (8.84 m)
F. Wheelbase	7 ft. 8 in. (2.34 m)
G. Ground Clearance (Standard Tires)	12.5 in. (32 cm)
(14 x 17.5 Tires)	13.5 in. (34 cm)
Gross Vehicle Weight*	15,855 lbs. (7,192 kg)

CHASSIS

Drive Speed 2WD/4WD	4.5 mph (7.2 kph)
Gradeability 2WD	30%
Gradeability 4WD	45%
Turning Radius (Outside)	16 ft. (4.88 m)
Turning Radius (Inside)	6 ft. 8 in. (2.03 m)
Tire Size/Type (Standard)	12 x 16.5 Pneumatic
(Optional)	14 x 17.5 Pneumatic

POWER SOURCE

Dual Fuel Engine	Ford LRG-425 EFI, 82 hp (61.1 kW)
Diesel Engine	Deutz F3M1011, 48 hp (35.8 kW)
Fuel Tank Capacity	26 gal. (98.5 L)
Hydraulic Reservoir	40 gal. (151.6 L)
Auxiliary Power	12V DC
Engine Noise Level (at max. rpm)	70 dBA @ 7 meters

*Certain options or country standards will increase weight.

THE JLG 1 & 5 WARRANTY

JLG Industries, Inc. backs our products with our exclusive "1 & 5" Warranty. We provide coverage on all products for one (1) full year, and cover all specified major structural components for five (5) full years. Due to continuous product improvements, we reserve the right to make specification and/or equipment changes without prior notification. This machine meets or exceeds applicable OSHA Regulations in 29 CFR 1910.67, 29 CFR 1926.453, and ANSI A92.5-1992, as originally manufactured for intended applications.