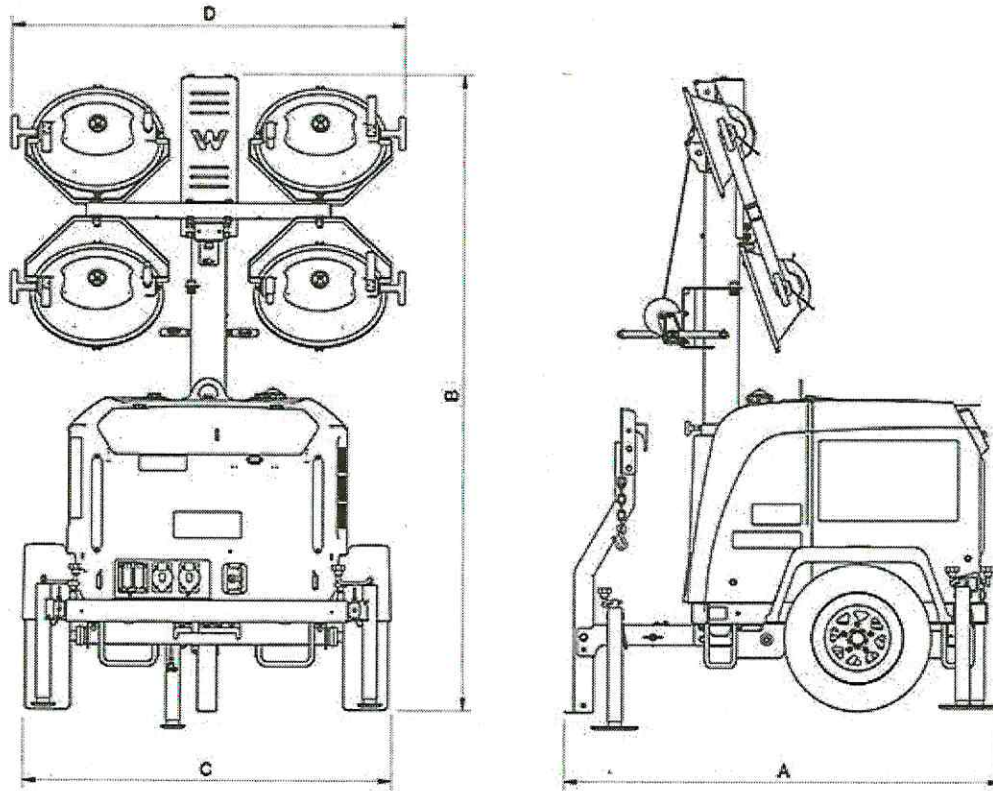


## Light Towers - Compact Vertical Mast Technical specifications

	LTV6L	LTV6K	LTV8K	LTV6K LED	LTV4K LED
<b>Operating data</b>					
L x W x H in	101 x 58 x 99	101 x 58 x 99	101 x 58 x 99	101 x 58 x 99	101 x 58 x 99
Operating weight lb	1,760	1,790	1,790	1,790	1,640
Shipping weight lb	1,430	1,460	1,460	1,460	1,376
Illumination coverage at 5 fc (54 lux) ft <sup>2</sup>	9,230	9,230	9,230	5,396	5,420
Lamp type	Metal Halide	Metal Halide	Metal Halide	LED	LED
Mast height ft	23	23	23	23	23
Sound level (LwA) at 23 ft (7 m) dB(A)	67.9	68.3	70.1	68.3	66.5
Power kW	6	6	8	6	6
Frequency Hz	60	60	60	60	60
Voltage V	120	120/240	120/240	120/240	120/240
Power factor cos Φ 1~	1	1	1	1	1
<b>Engine / Motor</b>					
Generator model	Brushless	Brushless	Brushless	Brushless	Brushless
Generator insulation (class)	H	H	H	H	H
Idle to full load %	10	10	10	10	10
Voltage control (+/-) %	6	6	6	6	6
Engine / Motor manufacturer	Kohler (LDW1003)	Kubota (D1005)	Kubota (D1105)	Kubota (D1105)	Kubota (Z482-E4BG)
Engine / Motor type	Liquid-cooled 3-cylinder	Liquid-cooled 3-cylinder	Liquid-cooled 3-cylinder	Liquid-cooled 3-cylinder	Liquid-cooled 3-cylinder
Fuel type	Diesel	Diesel	Diesel	Diesel	Diesel
Displacement in <sup>3</sup>	62.7	61.1	68.5	68.5	29.2
Operating performance hp at rpm rpm	12.2 1,800	13.1 1,800	15.4 1,800	15.4 1,800	5.6 1,800
Rated performance	ISO 3046 IFN	ISO 3046 IFN	ISO 3046 IFN	ISO 3046 IFN	SAE J1349
Tank capacity (Oil) US qt	4	5.4	5.4	5.4	4
Tank capacity (Fuel) US gal	45.8	45.8	45.8	45.8	45.8
Fuel consumption (Prime Load) US gal/h	0.72	0.68	0.79	0.68	0.33
Runtime 100% Prime Load h	60.5	64.3	55.7	64.3	132.7
Runtime 4 Lights Only h	98.8	104.3	106.8	136.9	199.1

## Light Towers - Compact Vertical Mast Dimensions



A	Length with tongue up	67 in
A	Length with tongue down	101 in
B	Mast height retracted	8.2 ft
B	Mast height extended	23 ft
C	Width with outriggers retracted	58 in
C	Width with outriggers extended	118.5 in
D	Width	62 in

Please note: that product availability can vary from country to country. It is possible that information / products may not be available in your country. More detailed information on engine power can be found in the operator's manual; the stated power may vary due to specific operating conditions. Subject to alterations and errors excepted. Applicable also to illustrations. Copyright © 2019 Wacker Neuson SE.