

SPECIFICATIONS

NOTE: All specifications are given according to SAE Standards or Recommended Practices where the specification applies.

ENGINE

Manufacturer ISM/New Holland
 Model NH844LT Turbocharged
 Firing order 1,3,4,2
 Fuel Diesel
 Bore and Stroke 84 x 100 mm (3.3 x 3.9 in)
 Displacement 2200 CC (135 CID)
 Compression Ratio 22 : 1

Horsepower

Gross 45 kW (60 hp)
 SAE net 42 kW (56 hp)
 Peak Torque @ 1700 rpm 173 Nm (128 ft-lb)
 Engine Gradeability (Intermittent Duty) 30 degrees in all directions

Engine Speeds

High Idle - No Load 3130 - 3180 rpm
 Idle 1150 ±50 rpm

Travel Speeds

Low Speed 9.5 km/h (5.9 mph)
 High Speed 16.1 km/h (16.1 mph)

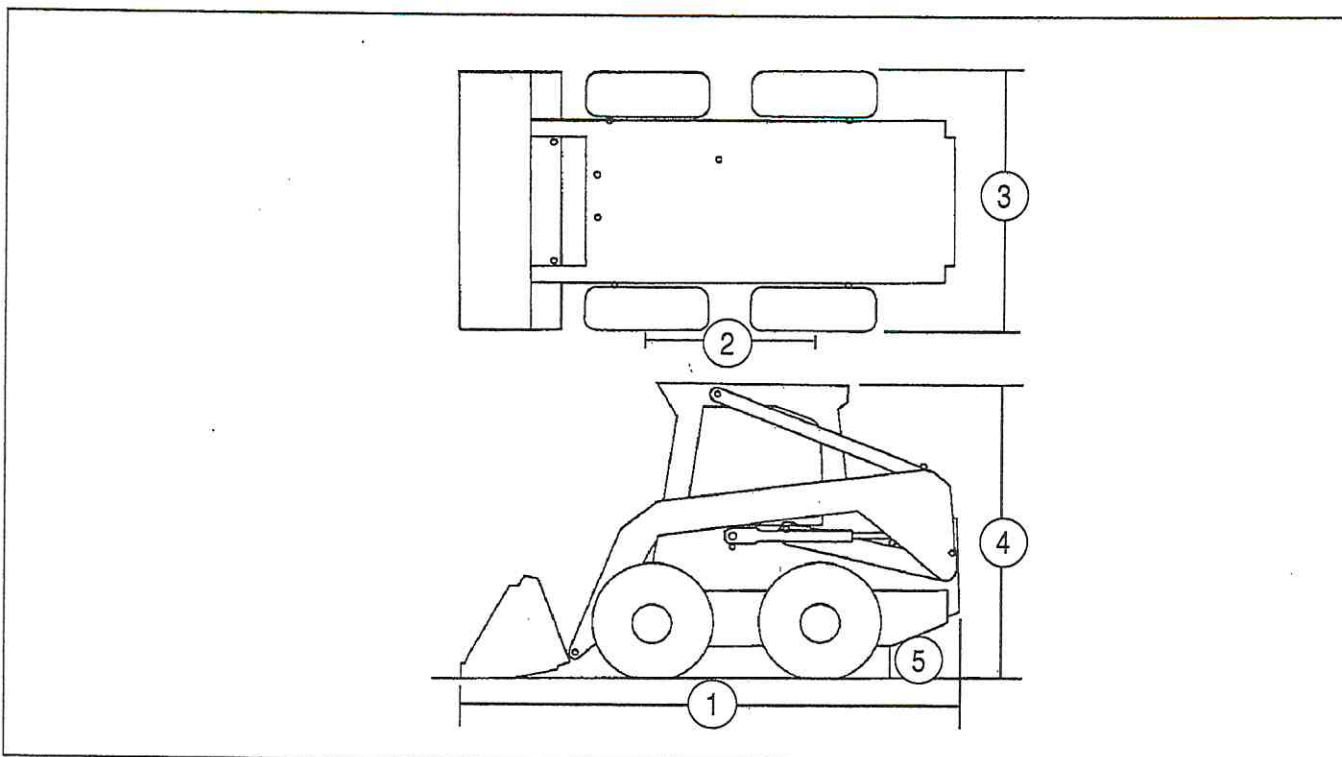
HYDRAULIC SYSTEM

Pump-Type Gear Pump
 Output - Standard Flow 65 Lpm (17.2 gpm)
 Output - High Flow 114 Lpm (30.3 gpm)

ELECTRICAL SYSTEM

Battery maintenance free, 12 volt
 Alternator 40 amp
 Worklights 35 amp

OPERATING DATA AND DIMENSIONS



BS04G138

Figure 1

1. Overall Length with Dirt & Utility Bucket on ground

L175	3289 mm (129.5 in)
C175	3289 mm (129.5 in)

2. Wheelbase

L175	1080 mm (42.5 in)
------------	-------------------

3. Overall Width without Bucket

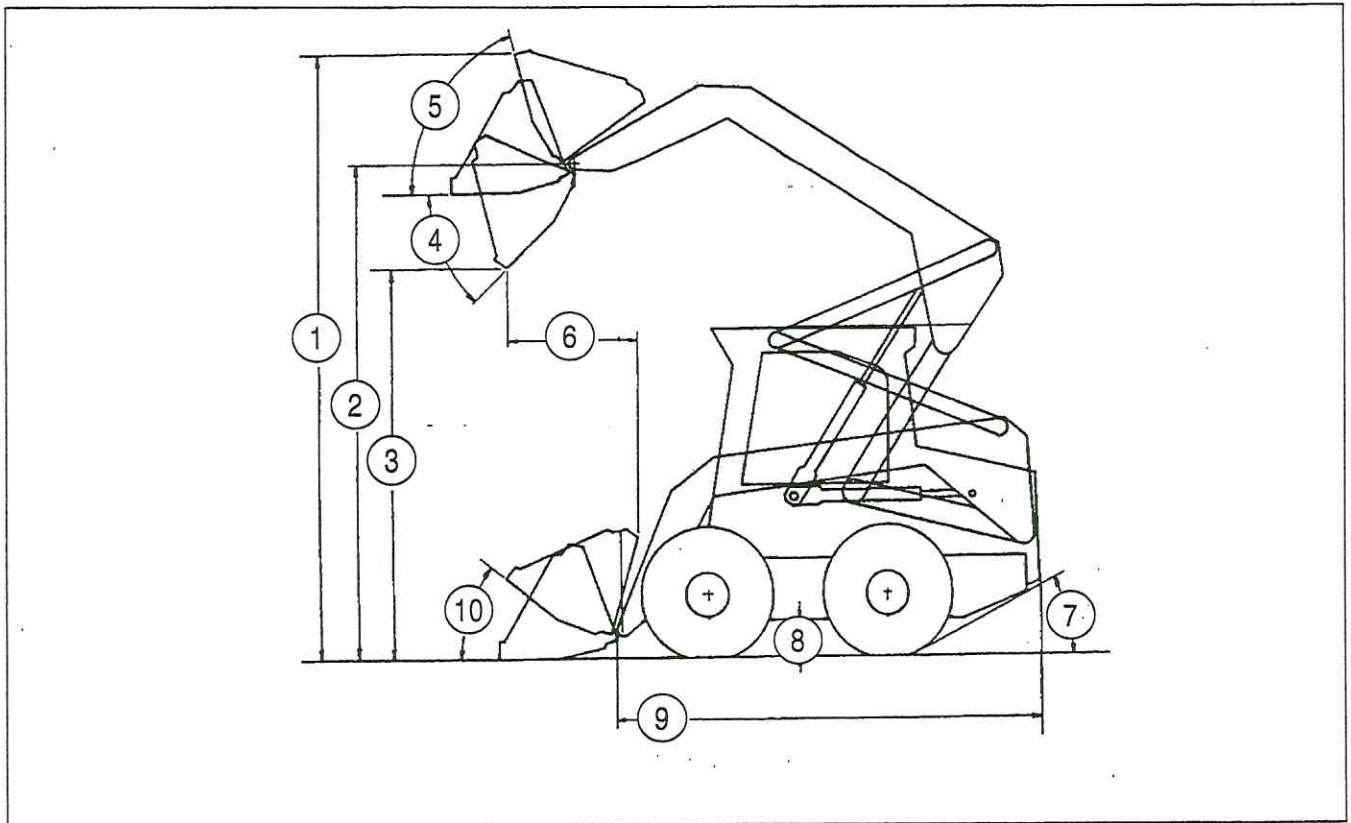
L175	1798 mm (70.8 in)
C175	1805 mm (71.1 in)

4. Overall Height to Top of Rops

L175	1930 mm (76 in)
C175	1920 mm (75.4 in)

5. Ground Clearance to Bottom of Chain Case

L175	213 mm (8.4 in)
C175	200 mm (7.9 in)



BS04G139

Figure 2

1. Overall Operating Height

L175	3708 mm (146 in)
C175.....	3708 mm (146 in)

2. Height to Hinge Pin

L175	3040 mm (119.7 in)
C175.....	3027 mm (119.2 in)

3. Dump Height

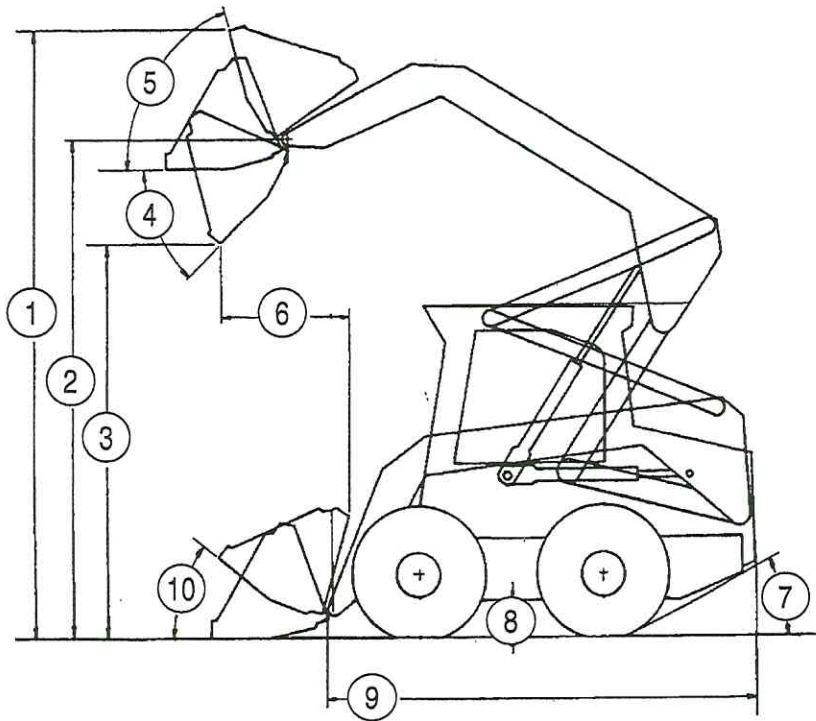
L175	1897 mm (74.7 in)
C175.....	2413 mm (95 in)

4. Dump Angle (Maximum)

L175	43 degrees
C175.....	43 degrees

5. Rollback Fully Raised

L175	78.5 degrees
C175.....	78.5 degrees



BS04G139

Figure 3

6. Dump Reach (Maximum Height)

L175736 mm (29 in)

C175.....780 mm (30.7 in)

7. Angle of Departure

L17525 degrees

C175.....28 degrees

8. Ground Clearance (Belly Pan)

L175213 mm (8.4 in)

C175.....200 mm (7.9 in)

9. Overall Length (No Attachments)

L1752660 mm (104.7 in)

C175.....2660 mm (104.7 in)

10. Rollback Angle @ Ground

L17537 degrees

C175.....37 degrees

WEIGHTS

LOADER SAE OPERATING WEIGHT

Total 2512 kg (5540 lbs)
L175 3418 kg (7535 lbs)
C175.....

Front Axle 844.6 kg (1862 lbs)
L175

Rear Axle 1667.9 kg (3677 lbs)
L175

SHIPPING WEIGHT, BASE UNIT, WITH 4 GAL FUEL, TIRES, LESS BUCKET AND OPERATOR

L175 2541 kg (5604 lbs)
C175..... 3133 kg (6909 lbs)